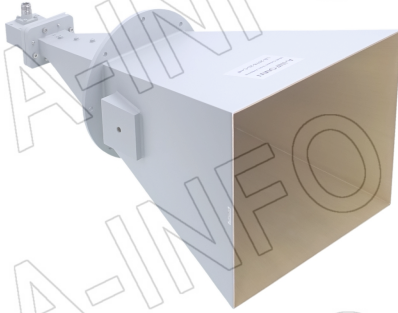


For reference only. See data sheet for the detailed specifications.

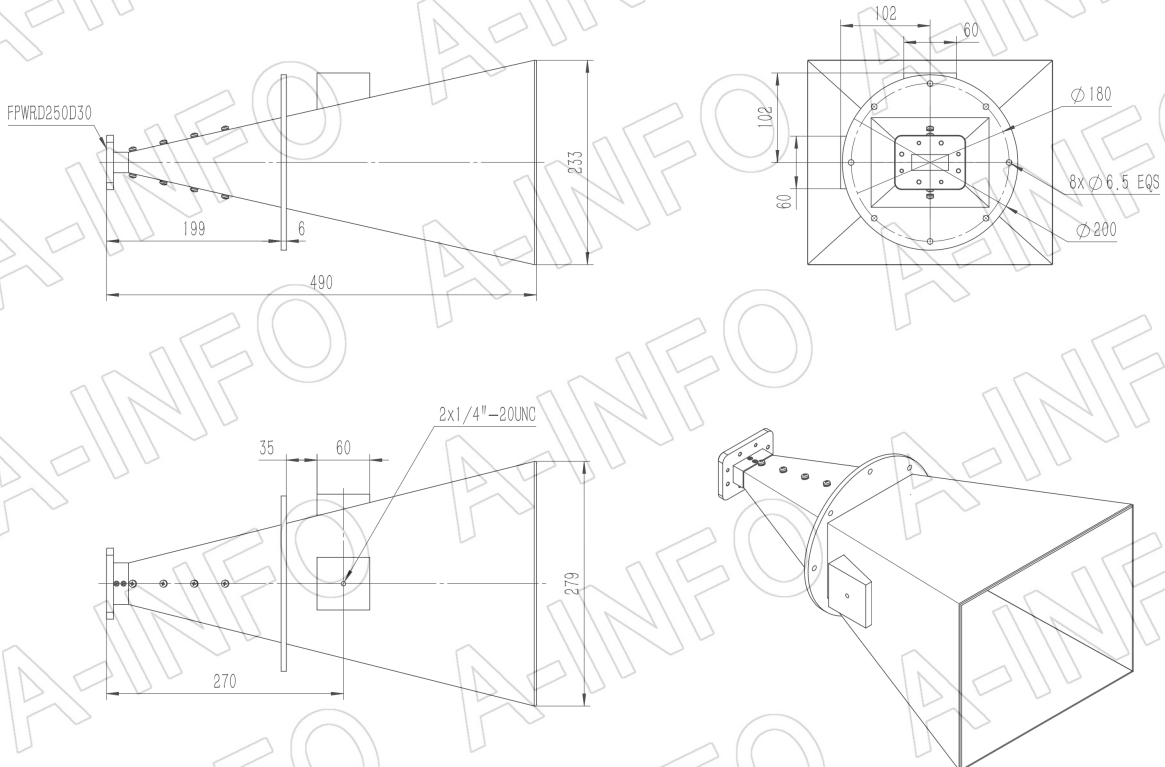
## Technical Specification



Frequency Range(GHz)	2.6 - 7.8
Gain(dBi)	20 Typ.
Polarization	Linear
3dB Beamwidth(deg)	E Plane: 24 - 8
	H Plane: 27 - 10
Cross Pol. Isolation(dB)	35 Typ.
VSWR	1.50:1 Typ.
Output	A Type: FPWRD250D30
	C Type: N-Female or SMA-Female
Power Handling(W CW)	N-Female: 500 Max.
	SMA-Female: 50 Max.
Material	Al
Finish	Chemical Conversion Coating, Gary Paint
Size(mm)	A Type: 279 x 233 x 490
	C Type: 279 x 233 x 557
Net Weight(Kg)	A Type: 2.85 Around
	C Type: 3.12 Around

## Outline Drawing (Size: mm)

FPWRD250D30 Output (P/N: LB-2678-20-A)



**AINFO Inc.**

China(Beijing): Tel: (+86) 10-6266-7326,  
 China(Chengdu): Tel: (+86) 28-8519-2786,  
 USA: Tel: (+1) 949-639-9688,

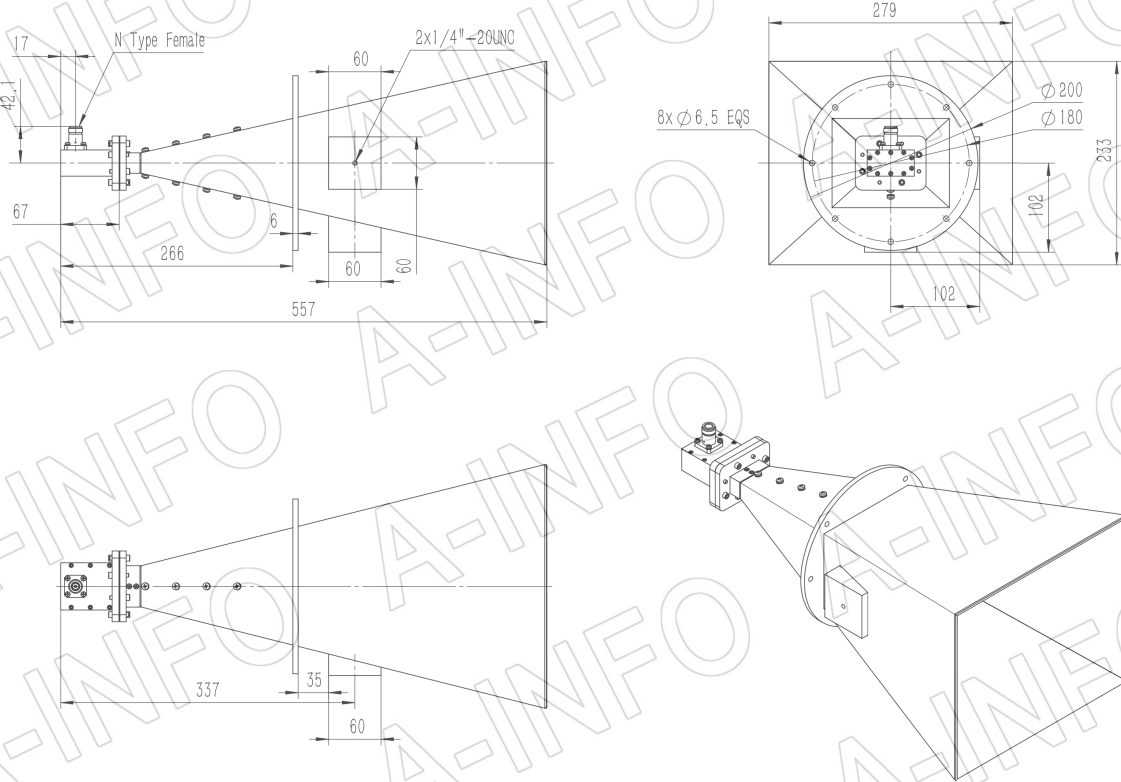
Page 1 of 10

(+86) 10-6266-7327 Fax: (+86) 10-6266-7379  
 (+86) 28-8519-3044 Fax: (+86) 28-8519-3068  
 (+1) 949-639-9608 Fax: (+1) 949-639-9670

Website: [www.ainfoinc.com](http://www.ainfoinc.com)  
 Email: [sales@ainfoinc.com](mailto:sales@ainfoinc.com)

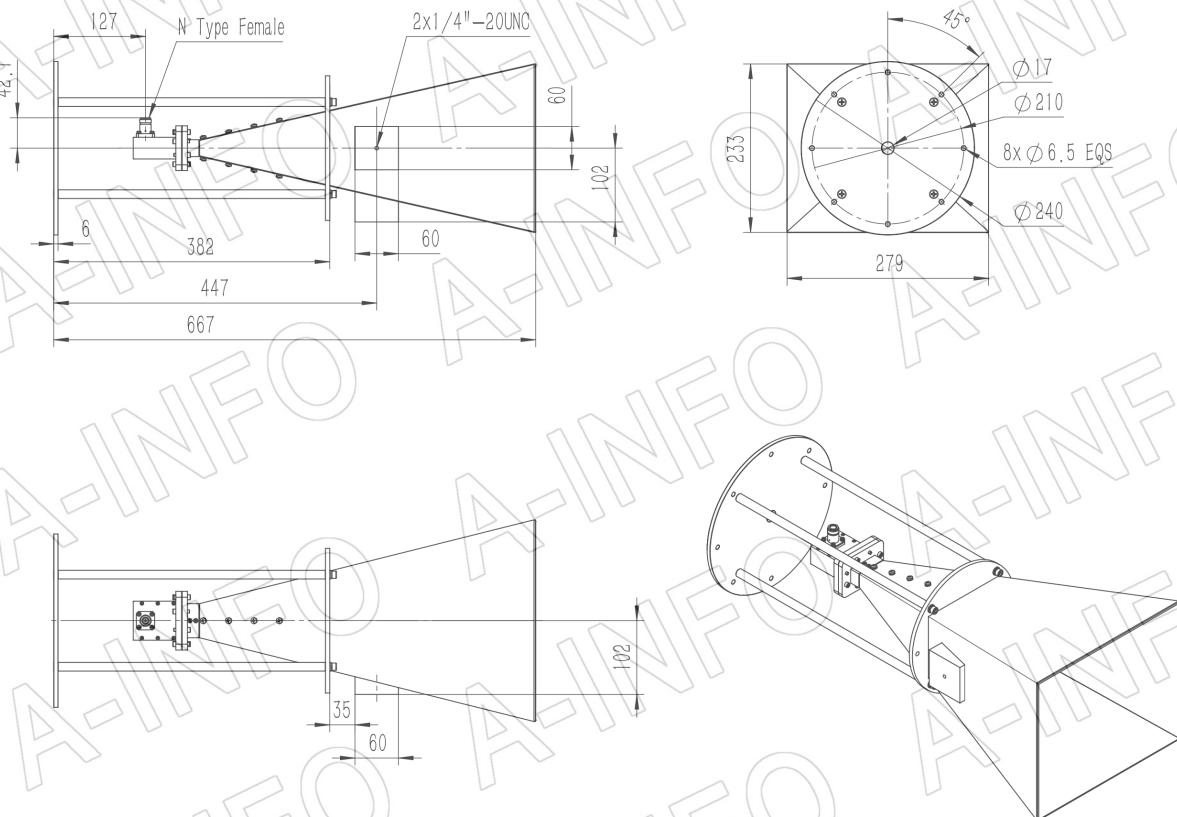
## N-Female Output (P/N: LB-2678-20-C-NF)

For SMA-Female output outline drawing, please contact A-INFO.



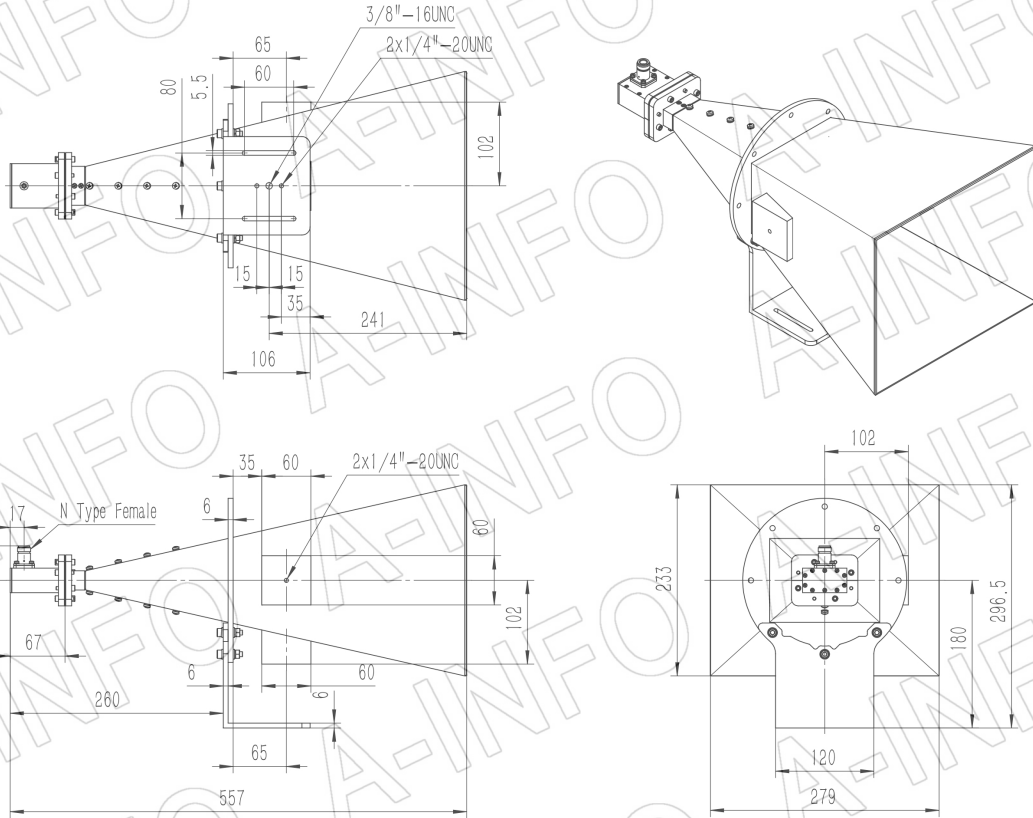
## N-Female Output with Round Mounting Bracket (Option, P/N: LB-90-25-MB2)

For SMA-Female output outline drawing, please contact A-INFO.

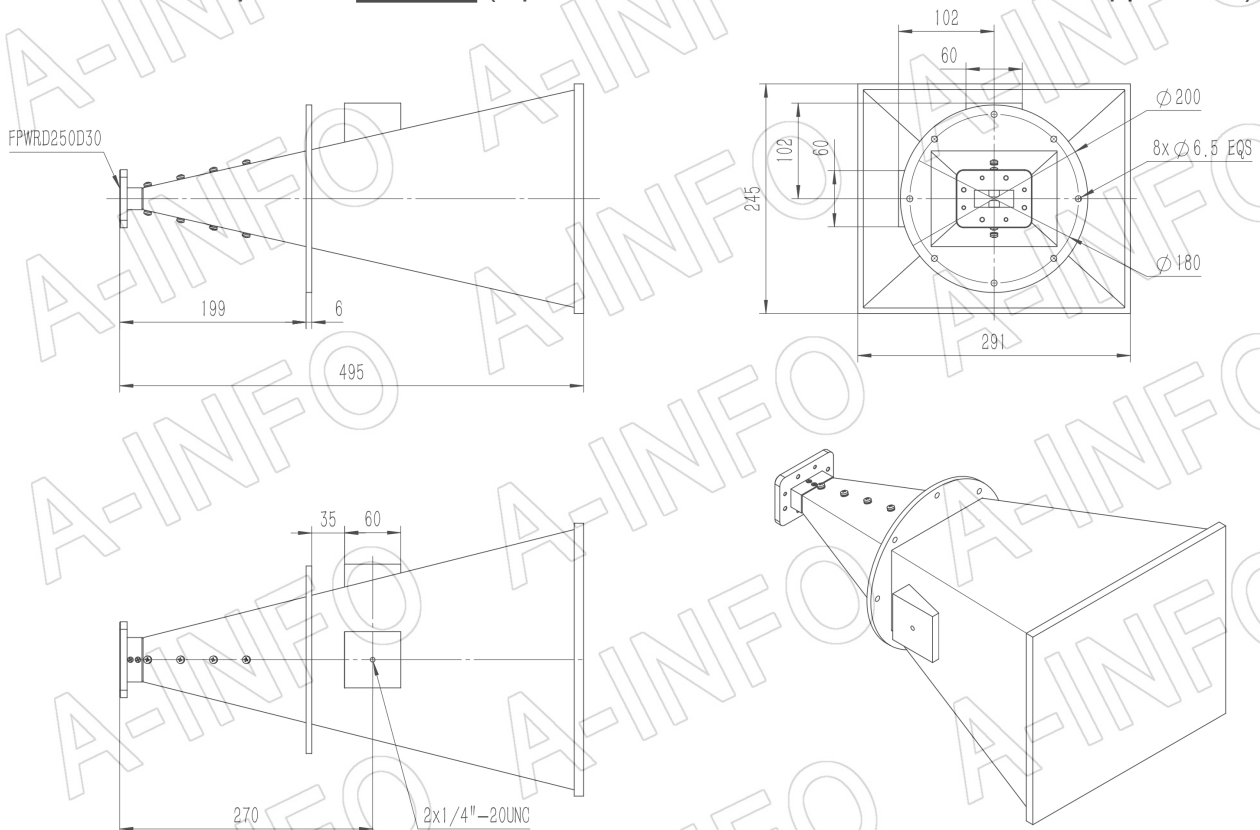


## N-Female Output with L Type Mounting Bracket (Option, P/N: LB-90-25-L2)

For SMA-Female output outline drawing, please contact A-INFO.

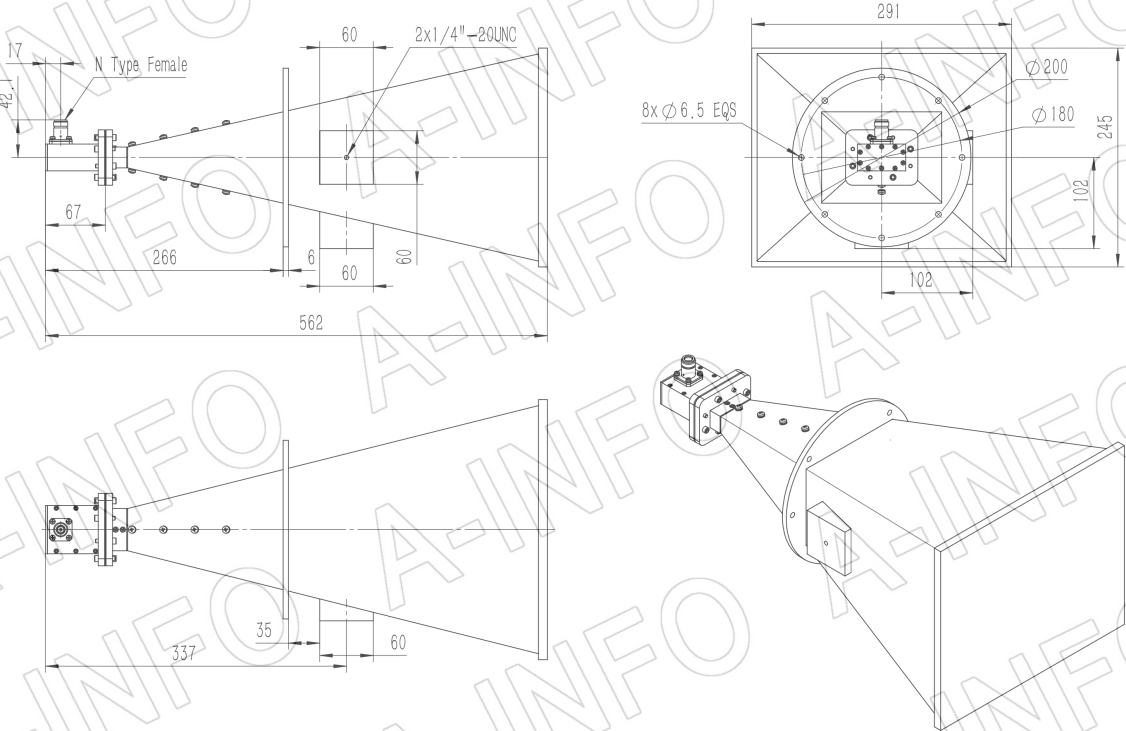


## FPWRD250D30 Output with Radome (Option, P/N: LB-2678-20-ASPO, Outdoor Application)



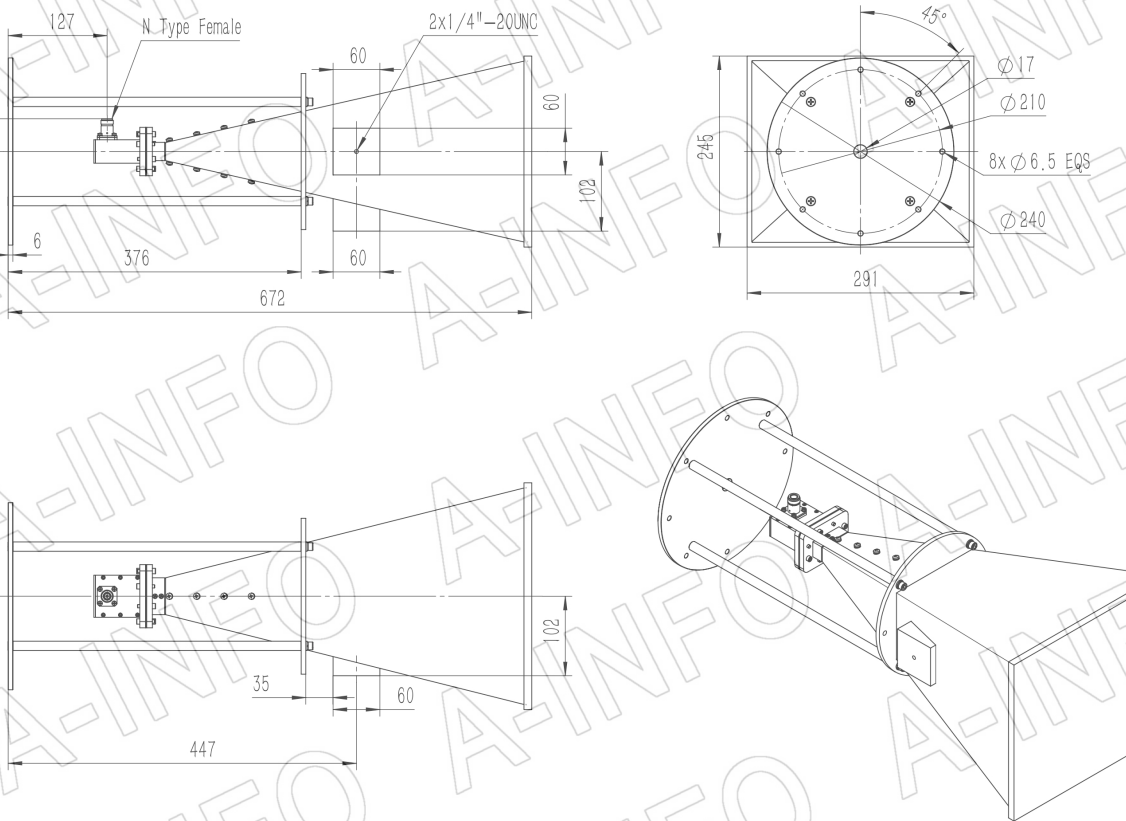
## N-Female Output with Radome (Option, P/N: LB-2678-20-C-NFSPO, Outdoor Application)

For SMA-Female output outline drawing, please contact A-INFO.



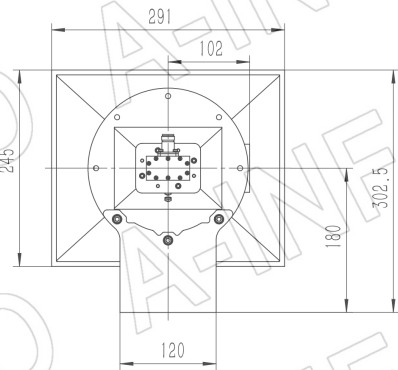
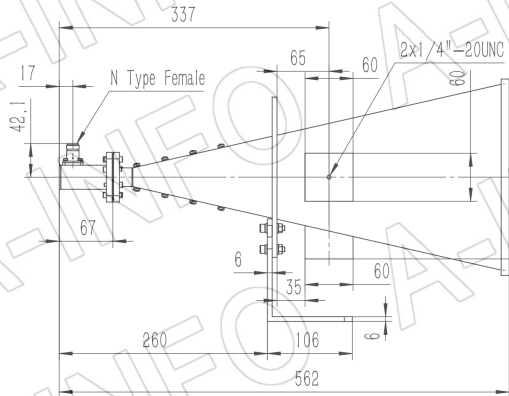
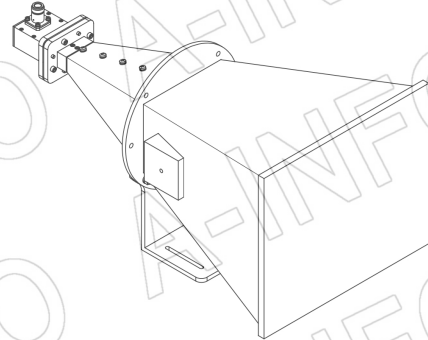
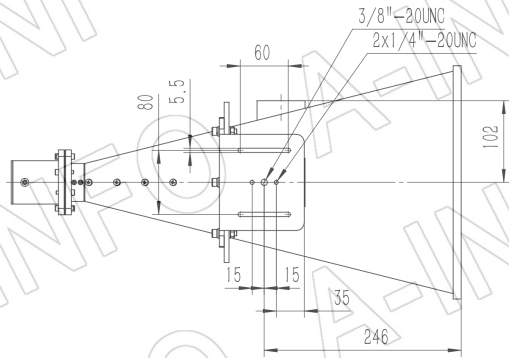
## N-Female Output with Round Mounting Bracket & Radome (Option, P/N: LB-90-25-MB2 & LB-2678-20-C-NFSPO, Outdoor Application)

For SMA-Female output outline drawing, please contact A-INFO.



**N-Female Output with L Type Mounting Bracket & Radome (Option, P/N: LB-90-25-L2 & LB-2678-20-C-NFSPO, Outdoor Application)**

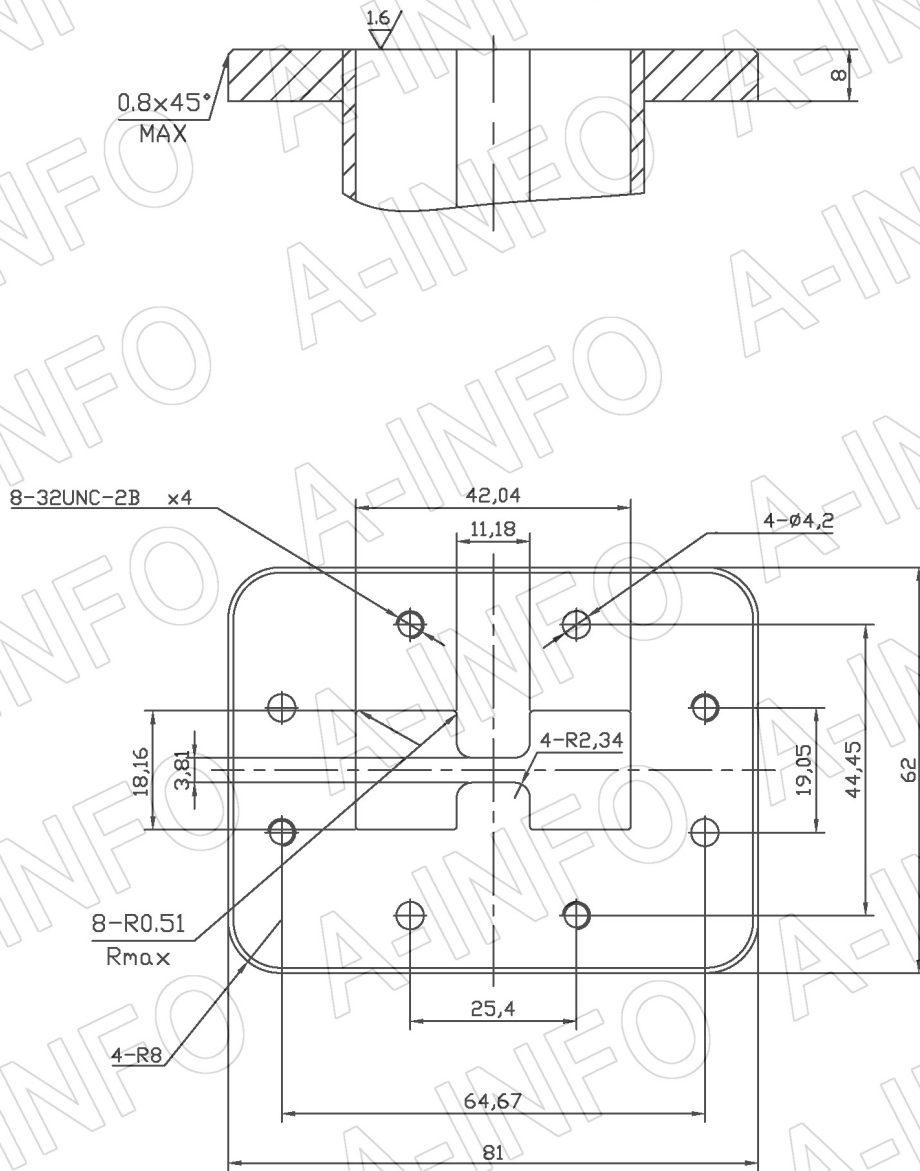
For SMA-Female output outline drawing, please contact A-INFO.



## Flange Drawing (Size: mm)

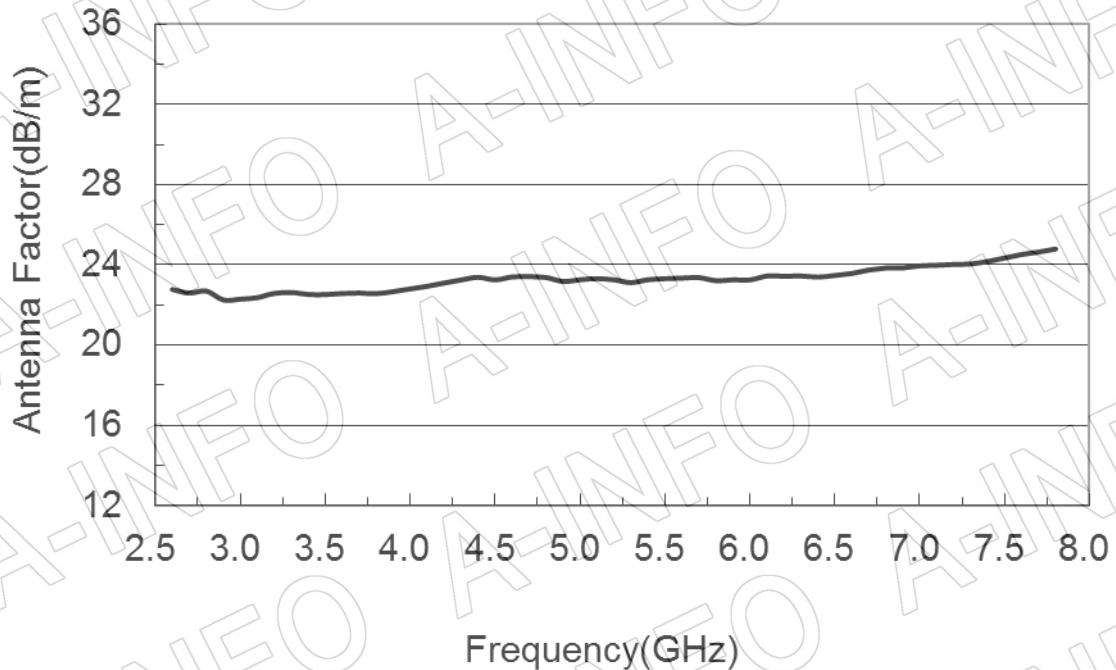
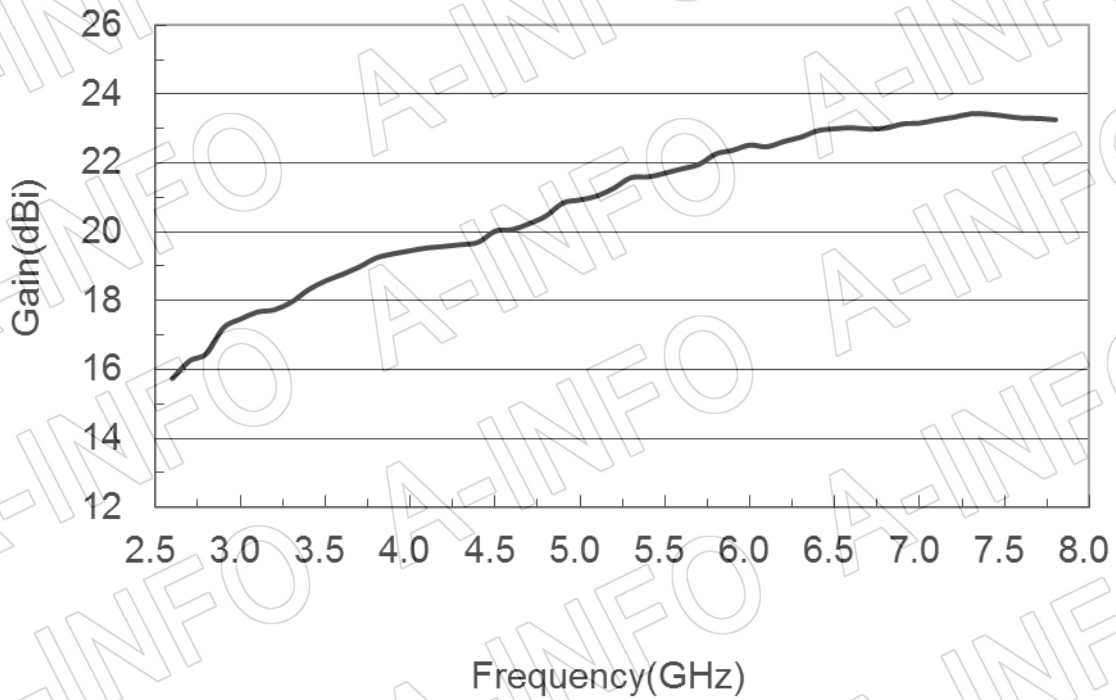
### FPWRD250D30

(With four through mounting holes  
and four screws holes)

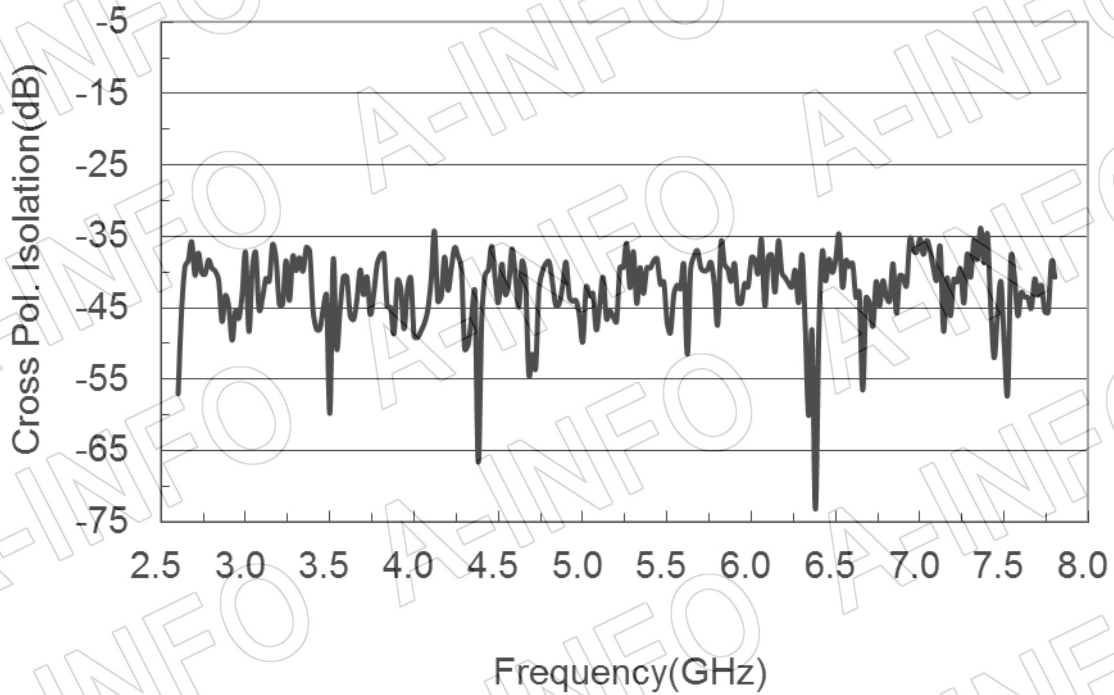


## Test Results

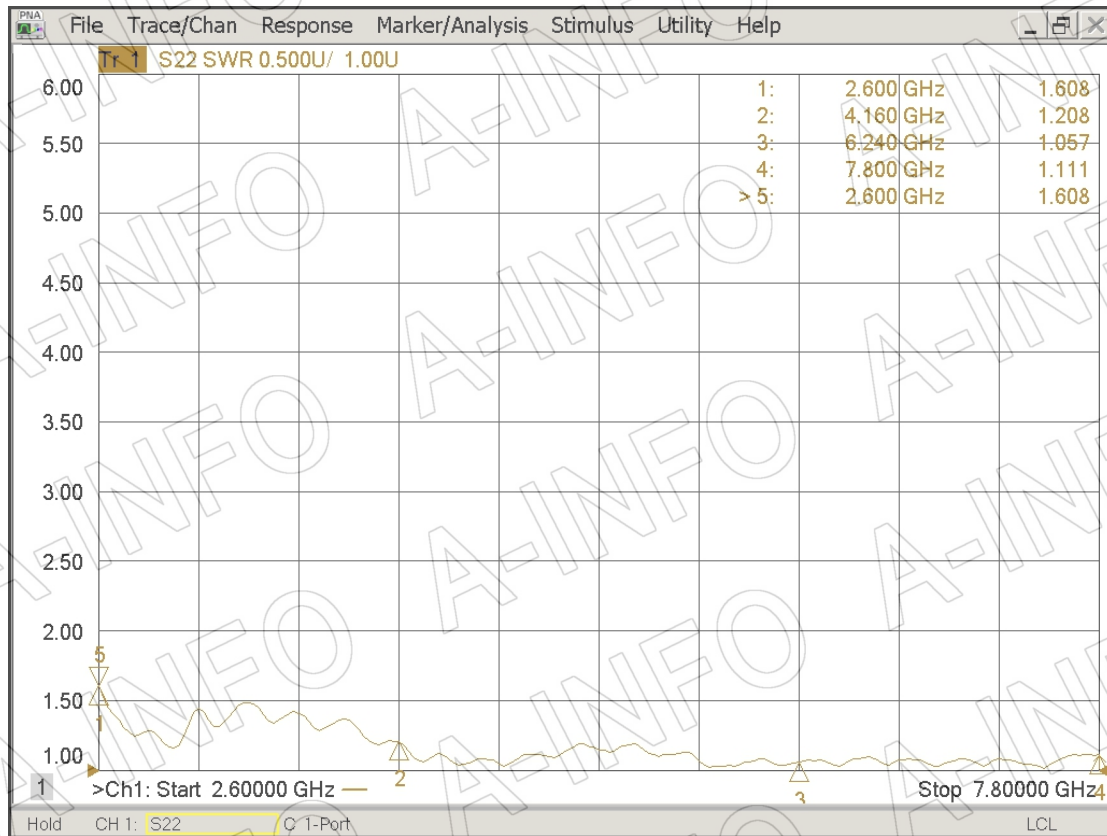
### 1. Gain & Antenna Factor



## 2. Cross Polarization Isolation



## 3. VSWR





## 4. Pattern

